

# PROFESSIONAL LINE - Horn HL14-50 TRIO WHITE

- Features:
- Stage monitors, side-fill and P.A. applications.
  - Compact size, flat front.
  - Aluminum exponential horn.
  - 50 mm (2") throat.
  - 45° x 45° nominal coverage.

### SPECIFICATIONS

Nominal coverage:	
Horizontal:	45 degrees
Vertical:	45 degrees
Directivity	
Directivity factor (Q) <sup>1</sup>	21
Directivity index (Di)	13 dB
Sensitivity	
On driver, 1W @ 1m, on axis <sup>1</sup>	110 dB SPL
Frequency response @ -10 dB <sup>2</sup> :	500 to 25,000 Hz
Throat diameter:	50 (2) mm (in)

<sup>1</sup> Measured with D3300Ti driver, 2,000 - 17,000 Hz average.

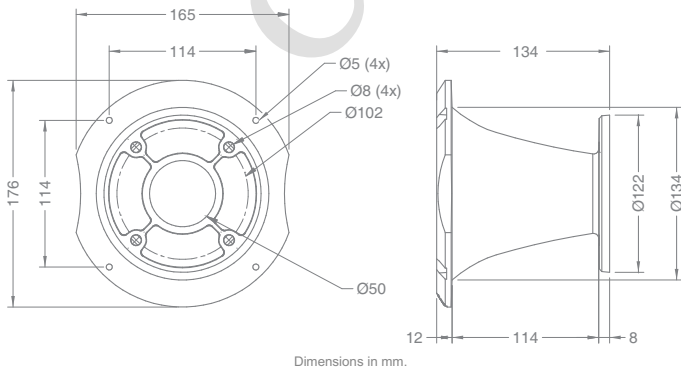
<sup>2</sup> Measured with D3300Ti driver.

### ADDITIONAL INFORMATION

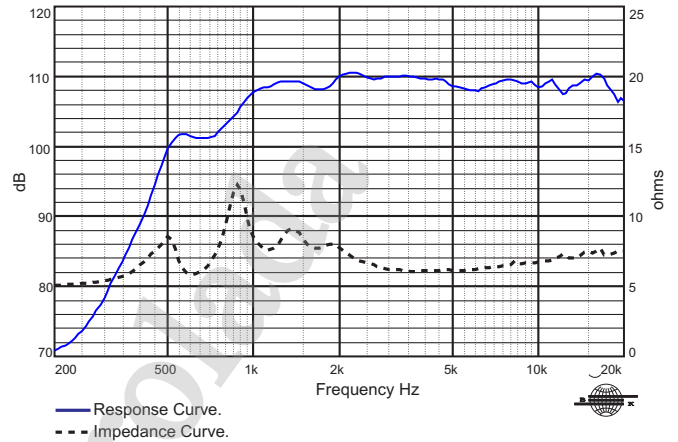
Horn material:	Aluminum
Horn finish:	White epoxy
Overall dimensions:	
Mouth height:	176 (6.93) mm (in)
Mouth width:	165 (6.49) mm (in)
Length:	134 (5.27) mm (in)
Volume displaced by horn:	0,9 (0.03) l (ft <sup>3</sup> )
Net weight:	680 (1.50) g (lb)
Gross weight:	820 (1.81) g (lb)
Carton dimensions (W x D x H):	20 x 19 x 17 (7.9 x 7.5 x 6.7) cm (in)

### MOUNTING INFORMATION

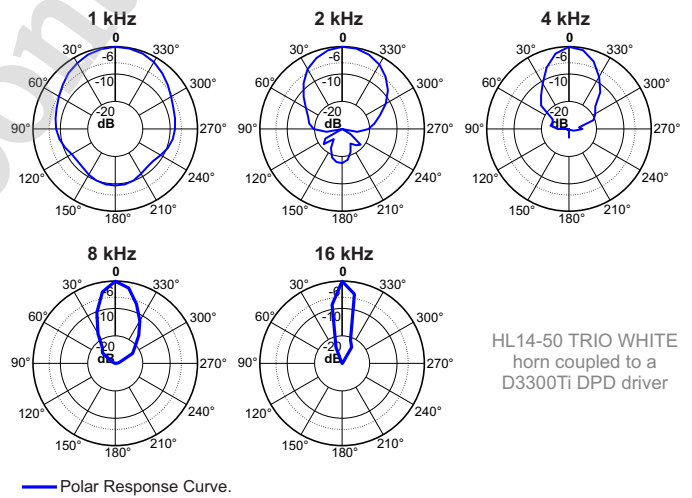
Mechanical connection of driver:	Bolt on
Baffle cutout diameter (front mount):	142 (5.59) mm (in)



### RESPONSE AND IMPEDANCE CURVES W/ D3300Ti DPD DRIVER INSIDE AN ANECHOIC CHAMBER, 1 W / 1 m



### POLAR RESPONSE CURVE



HL14-50 TRIO WHITE  
horn coupled to a  
D3300Ti DPD driver

### HORN x DRIVER CONNECTION

